

4

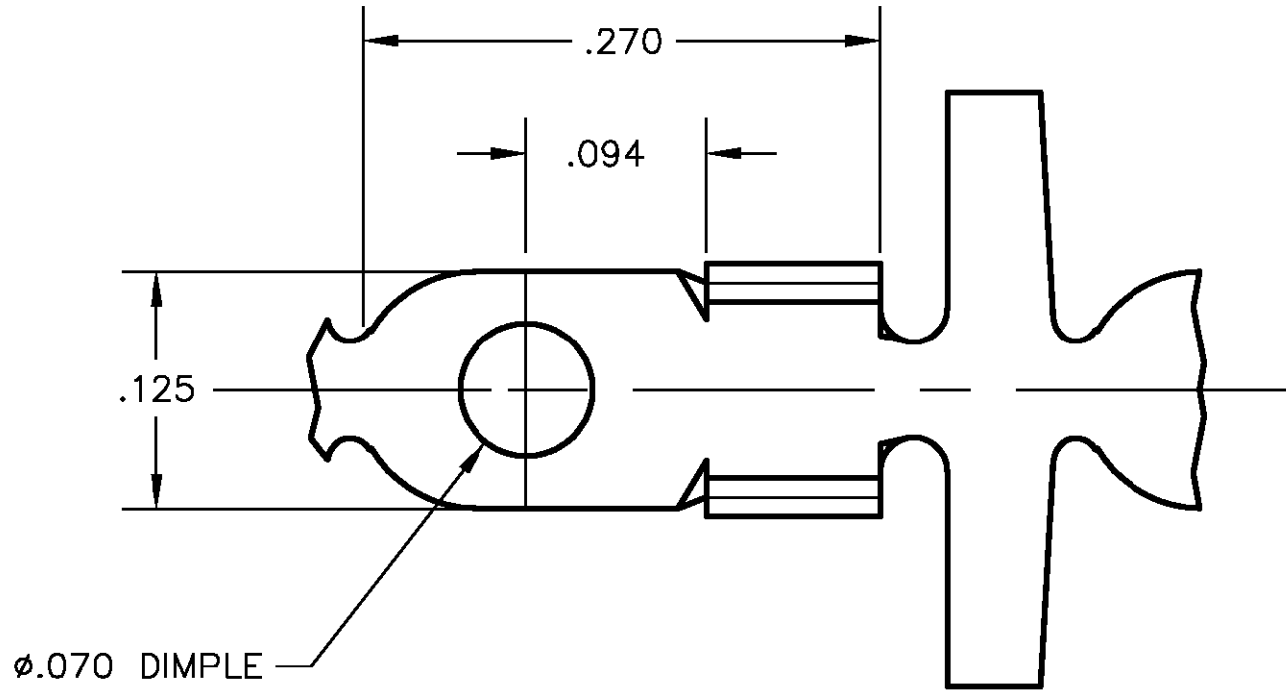
3

2

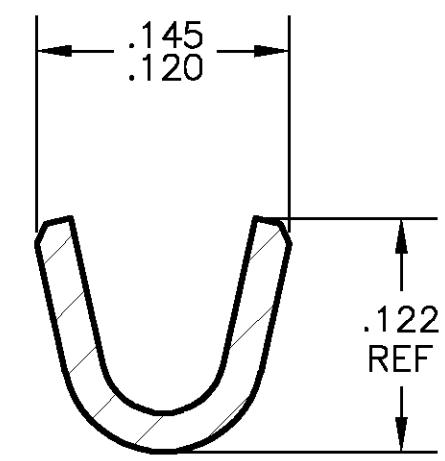
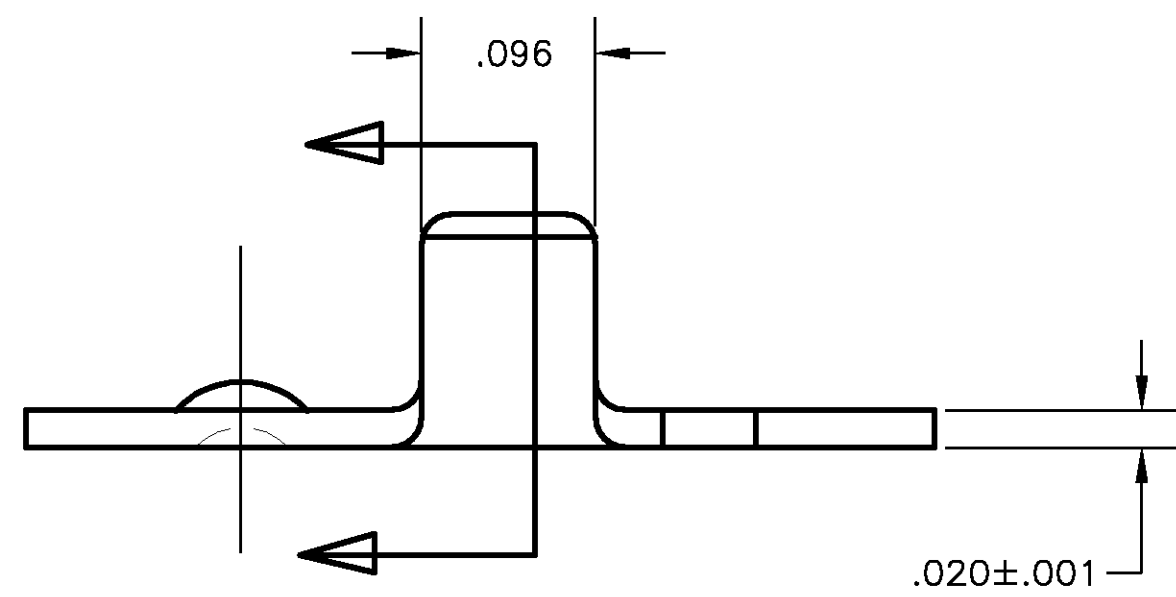
1

THIS DRAWING IS UNPUBLISHED. RELEASED FOR PUBLICATION
© COPYRIGHT BY TYCO ELECTRONICS CORPORATION. ALL RIGHTS RESERVED.

LOC	DIST	REVISIONS				
P	LTR	DESCRIPTION	DATE	DWN	APVD	
AF	50	F	REDRAWN PER 0G3A-0266-01	05APR01	JR	GP



- 1 CONTINUOUS STRIP ON REELS
- 2 WIRE SIZE IS #20-#16 AWG.
- △ .000080 MIN THK TIN PLATE



OBSOLETE	PRE NICKEL	62153-2
	TIN △	62153-1
	FINISH	PART NO.

THIS DRAWING IS A CONTROLLED DOCUMENT.		DWN JR RUTH 05APR01	Tyco Electronics Corporation Harrisburg, PA. 17057			
DIMENSIONS: INCHES	TOLERANCES UNLESS OTHERWISE SPECIFIED:	CHK MS FEHER 05APR01	NAME TAB, WELD			
		APVD G PORTA 05APR01	PRODUCT SPEC			
MATERIAL T3 STEEL	FINISH SEE TABLE	APPLICATION SPEC	SIZE A3	CAGE CODE 00779	DRAWING NO C-62153	RESTRICTED TO
		WEIGHT -	CUSTOMER DRAWING		SCALE 10:1	SHEET 1 OF 1